

Product Name: SIDE POWER COLUMN CRYSTAL AWARD

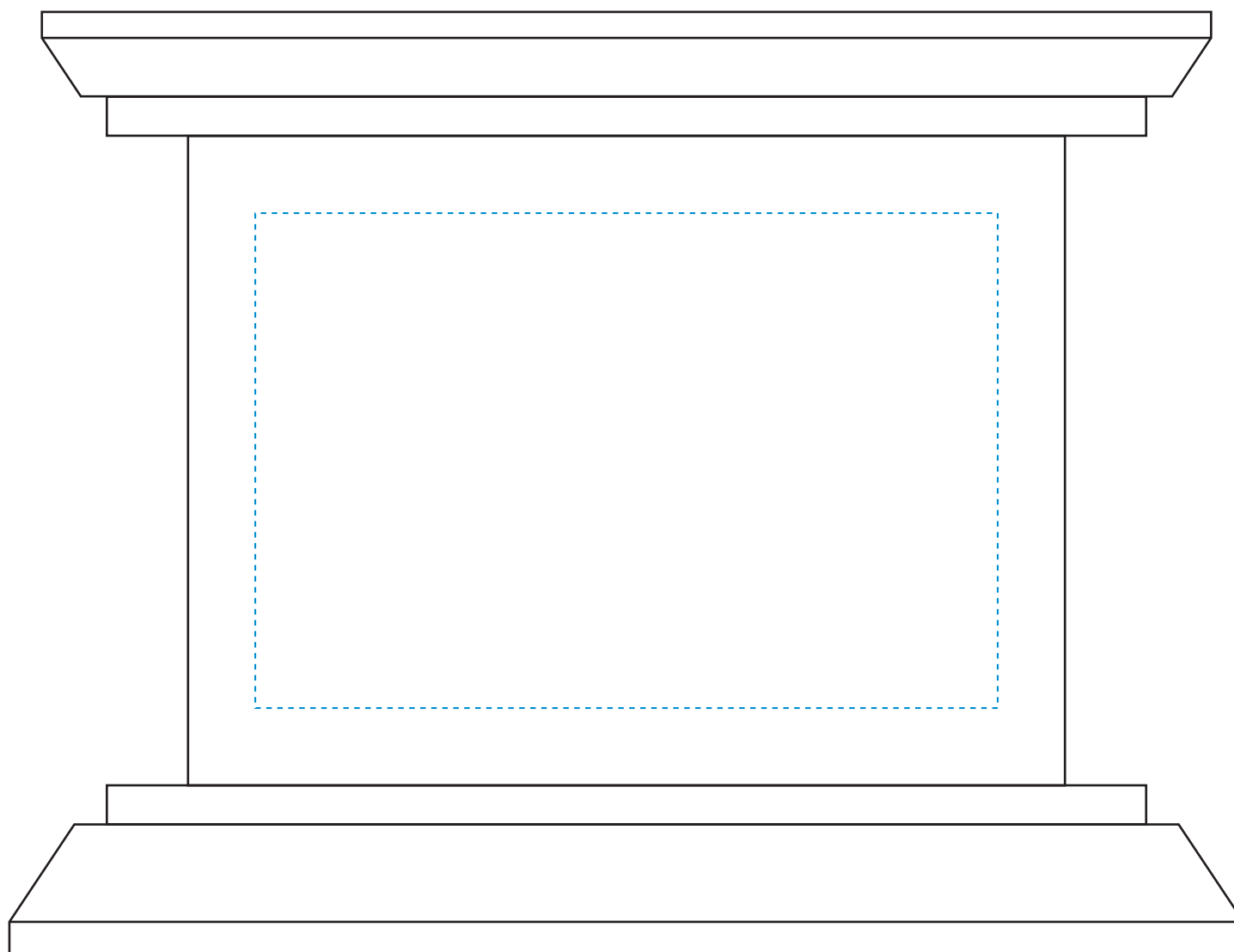
Scale 100%

Product Model: CD-3039

Product Size: 7.50" x 5.75" x 2.50"



Standard Etch: Reverse



3039 WAKEFIELD AWARD 5.75"

Blue line represents the max image area.

#### Artwork Information:

All artwork must be in vector format (AI, EPS, PDF is recommended) (send AI in version CS5 or lower)  
For sand etching, if fonts are under 12 pt font and lines less than 1 pt thickness  
we cannot guarantee clean etching so please contact us if smaller font or line thickness is needed.  
Any Logos and Text must be black & white line art only, no colors or grays can be etched.

Please see more art guidelines under Artwork Details tab for each product.

Product Name: SIDE POWER COLUMN CRYSTAL AWARD

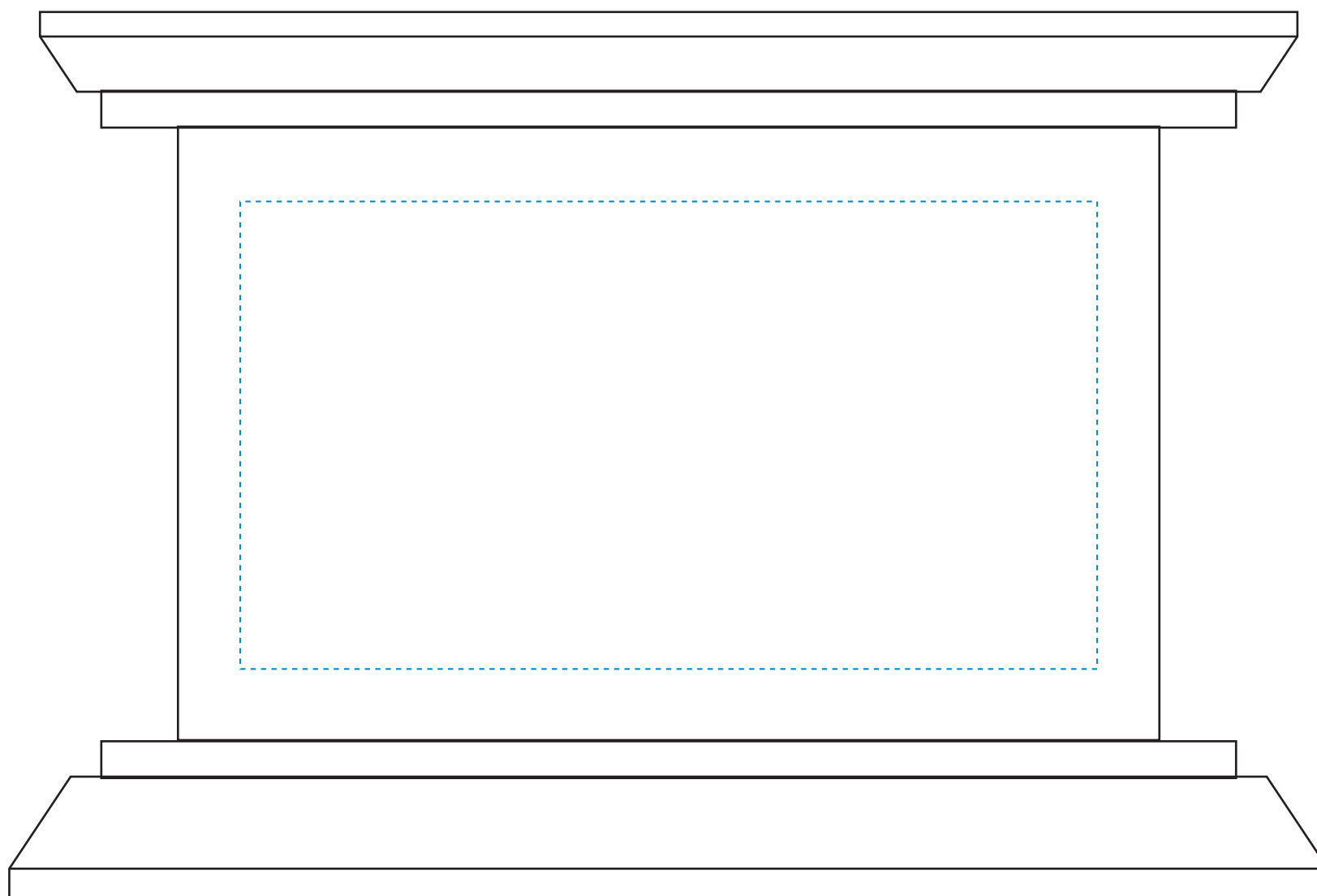
Scale 100%

Product Model: CD-3040

Product Size: 8.50" x 5.75" x 2.50"



Standard Etch: Reverse



3040 WAKEFIELD AWARD - 5.75"

Blue line represents the max image area.

#### Artwork Information:

All artwork must be in vector format (AI, EPS, PDF is recommended) (send AI in version CS5 or lower)  
For sand etching, if fonts are under 12 pt font and lines less than 1 pt thickness  
we cannot guarantee clean etching so please contact us if smaller font or line thickness is needed.  
Any Logos and Text must be black & white line art only, no colors or grays can be etched.

Please see more art guidelines under Artwork Details tab for each product.

Product Name: SIDE POWER COLUMN CRYSTAL AWARD

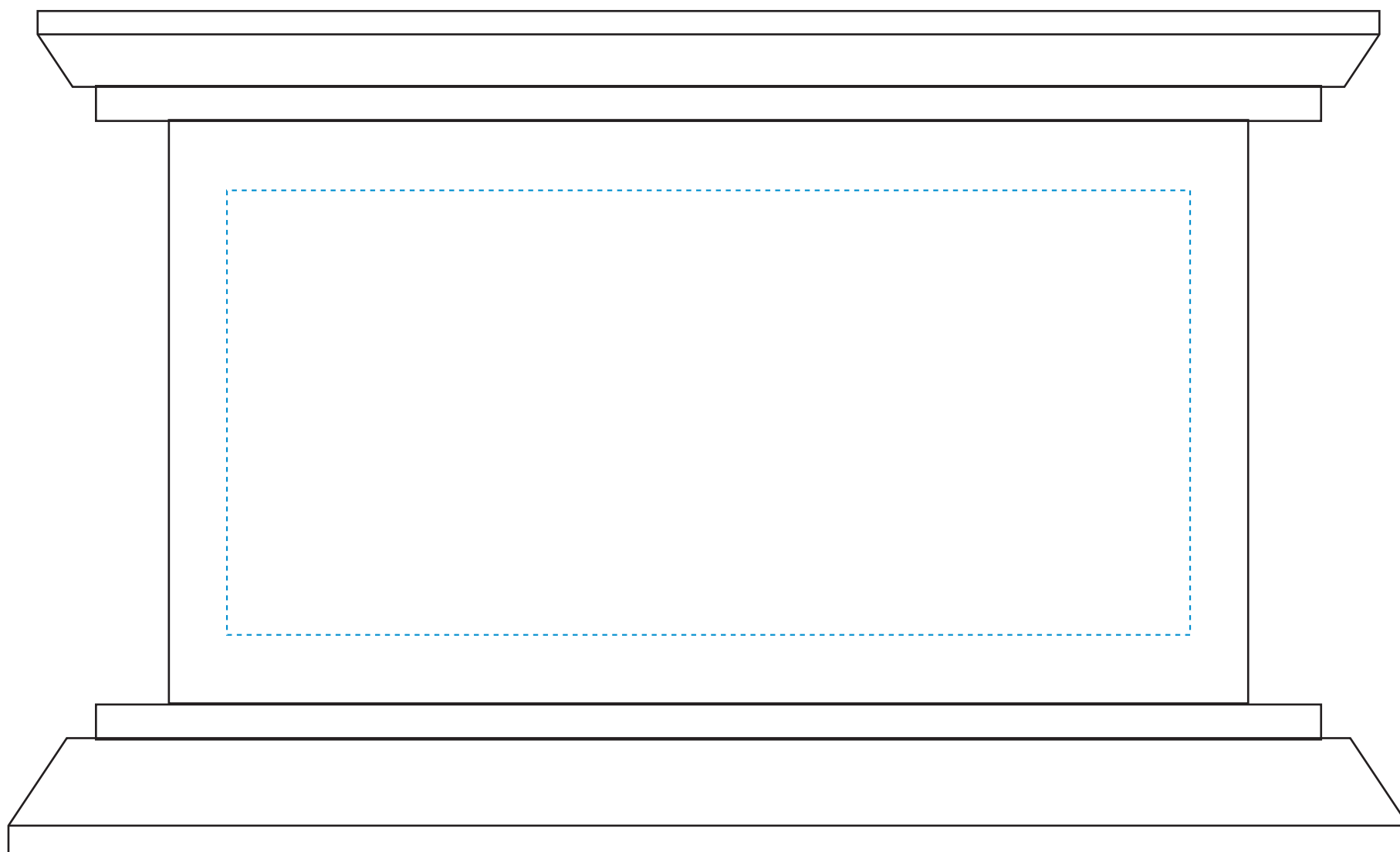
Scale 100%

Product Model: CD-3041

Product Size: 9.50" x 5.75" x 2.50"



Standard Etch: Reverse



3041 WAKEFIELD AWARD - 5.75"

Blue line represents the max image area.

#### Artwork Information:

All artwork must be in vector format (AI, EPS, PDF is recommended) (send AI in version CS5 or lower)  
For sand etching, if fonts are under 12 pt font and lines less than 1 pt thickness  
we cannot guarantee clean etching so please contact us if smaller font or line thickness is needed.  
Any Logos and Text must be black & white line art only, no colors or grays can be etched.

Please see more art guidelines under Artwork Details tab for each product.